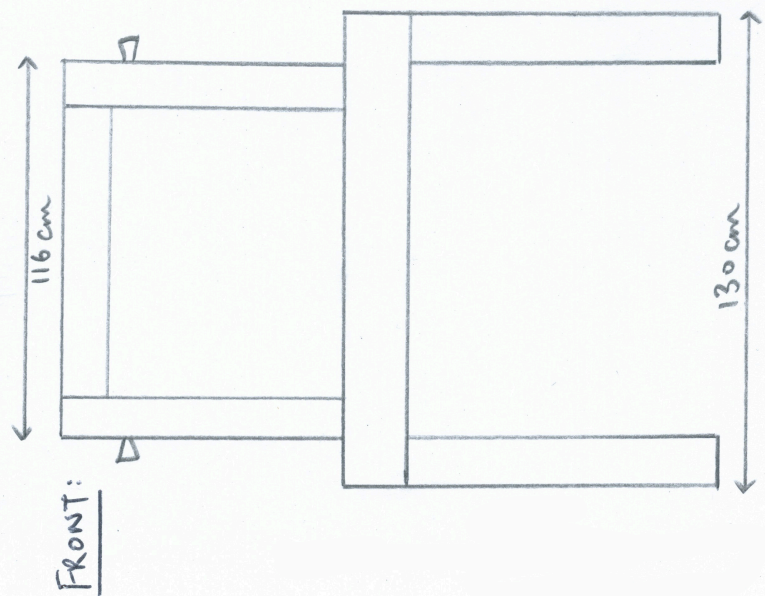
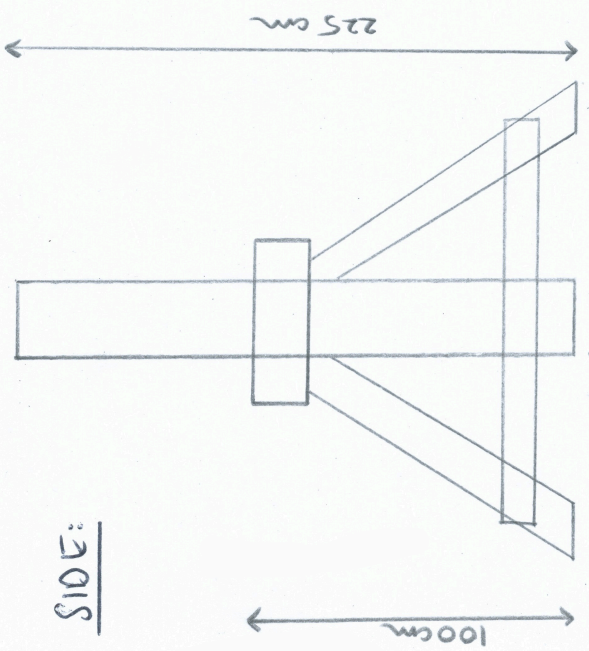
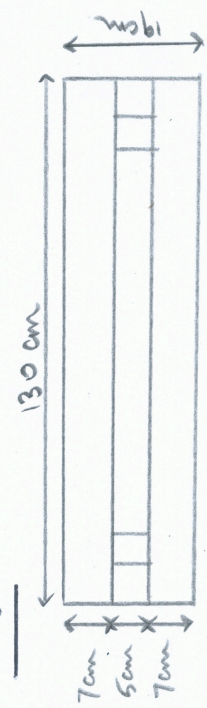


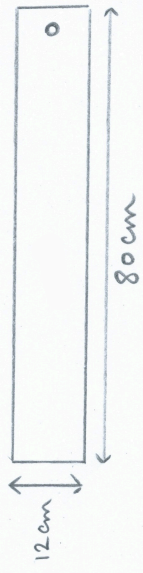
WPWOODCRAFT - POLE LATHE (NOT TO SCALE)



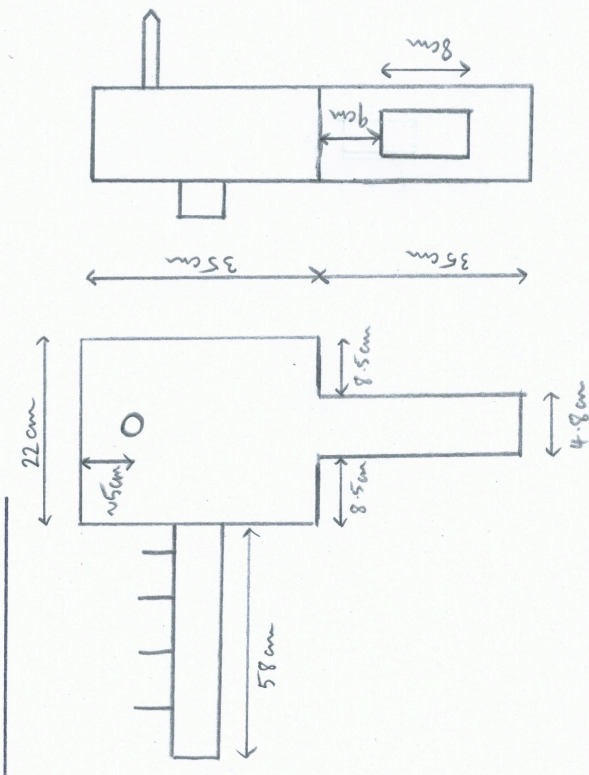
BED:



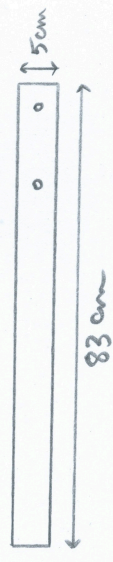
TREADLE:



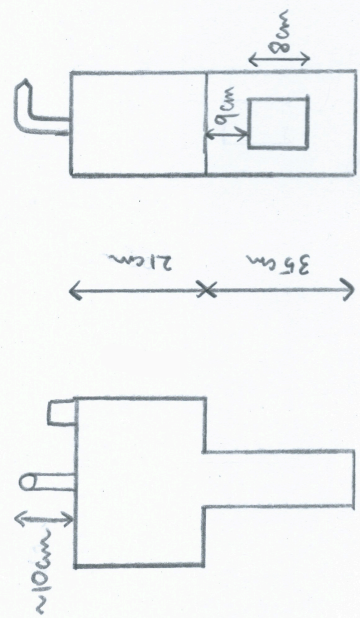
LARGE POPPET:



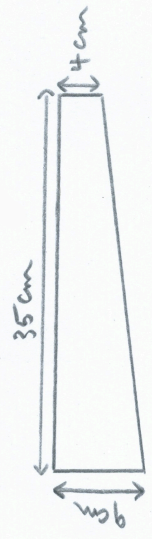
TOOL REST:



SMALL POPPET:



WEDGES (x2):



****NB:**

The main dimensions are based on the space I have available, the wood I used and, in some cases, the size of offcuts I had lying around.

Some measurements are important so check my blog post (www.wpwoodcraft.co.uk/post/building-a-pole-lathe) before altering anything.